

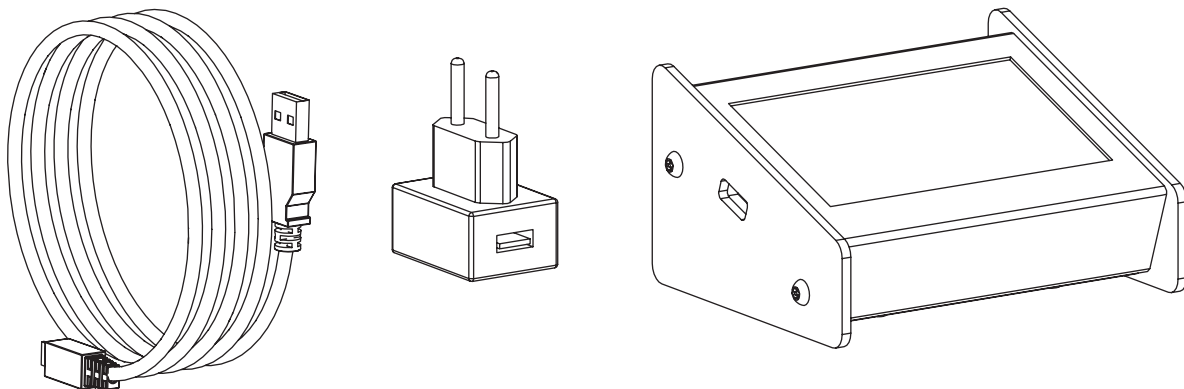


Content

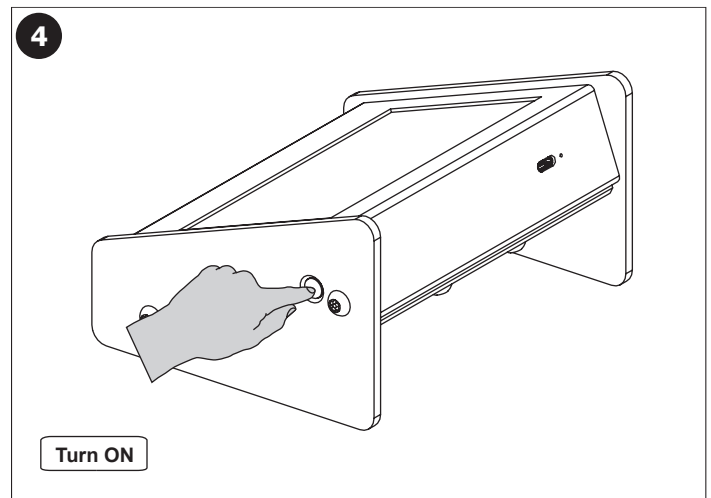
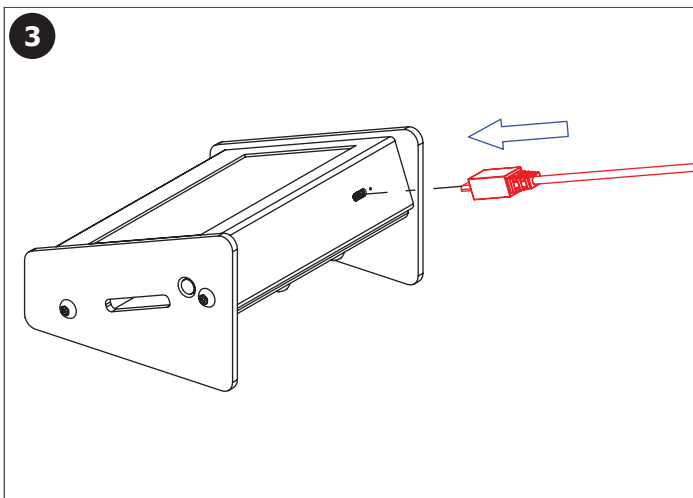
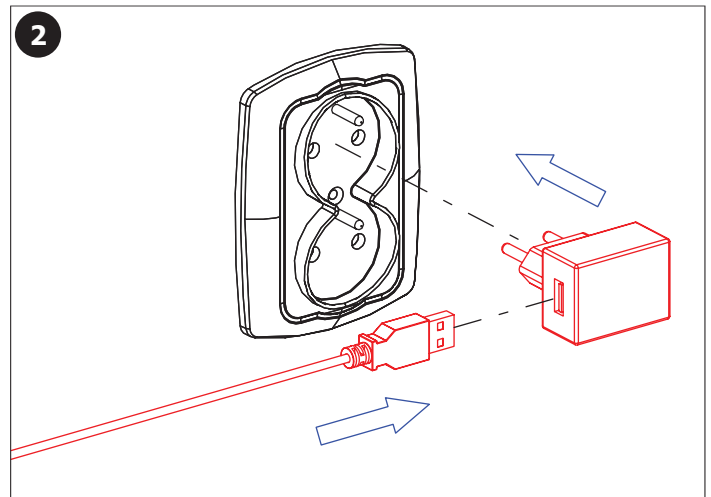
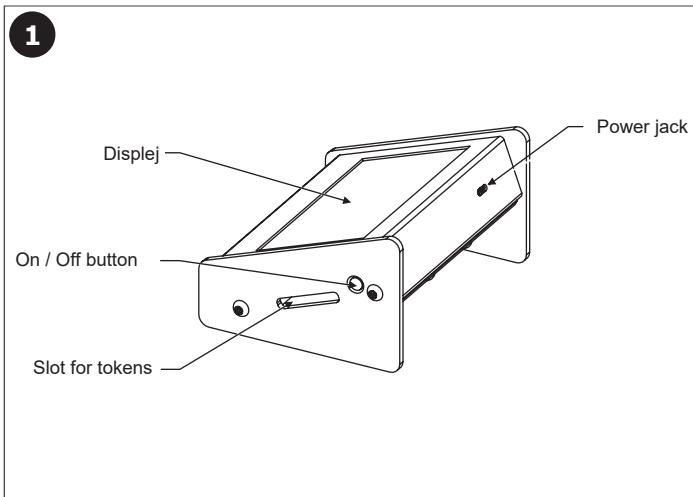
1	Supply specification	16
2	Installation	17
3	Basic description	17
3.1	Selecting an account	17
3.2	Main menu	18
3.3	Description of token creation	18
4	Setting up the device	19
4.1	Basic setup main screen	19
4.2	Parameters	20
4.2.1	Clone station ID	20
4.3	Brightness	20
4.4	Account Management	20
4.5	Group Management	21
4.5.1	Permission Management	21
4.6	Time / Date	21
4.7	Data management	21
4.8	About	22
5	Initial full systém setup	22
6	Changing parameters	23
7	Creating profiles	24
8	User token	25
8.1	Parameters (User token)	25
8.2	To read token	26
8.3	Charging units (credit)	26
8.4	Resetting units	27
9	Setting token	27
9.1	Parameters (Setting token)	27
10	Pairing token	28
11	Disk readout	28

1. Supply specification

SLZA 30 - Code Nr. - 89300

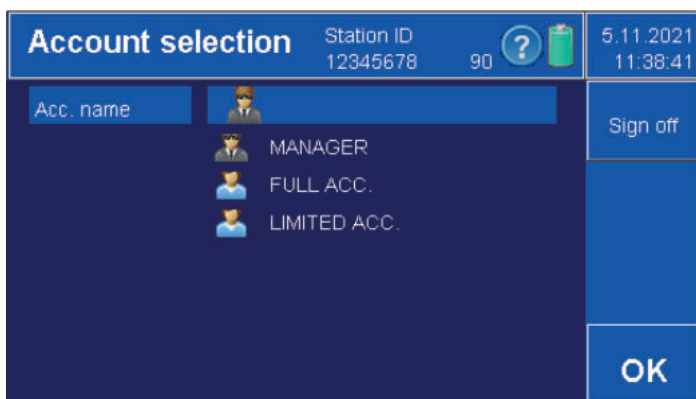


2. Installation

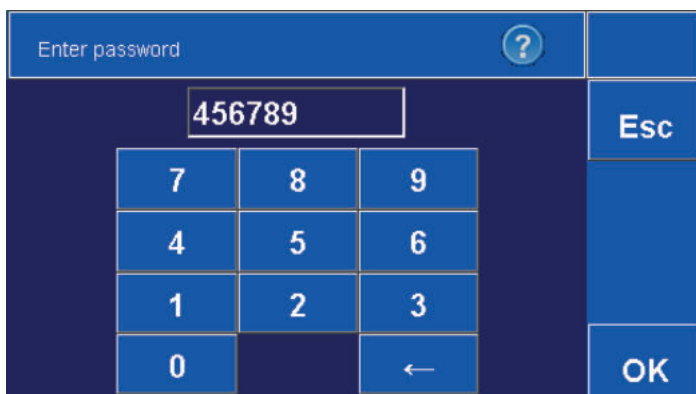


3. Basic description

3.1 Selecting an account

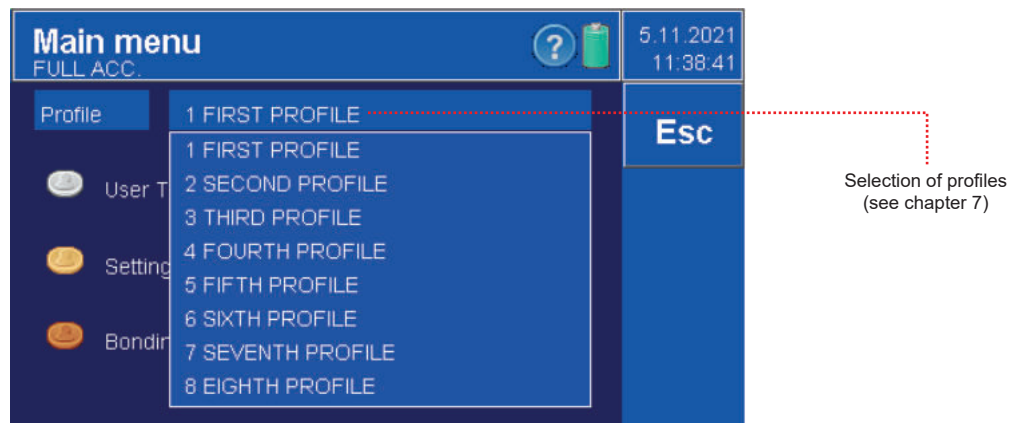
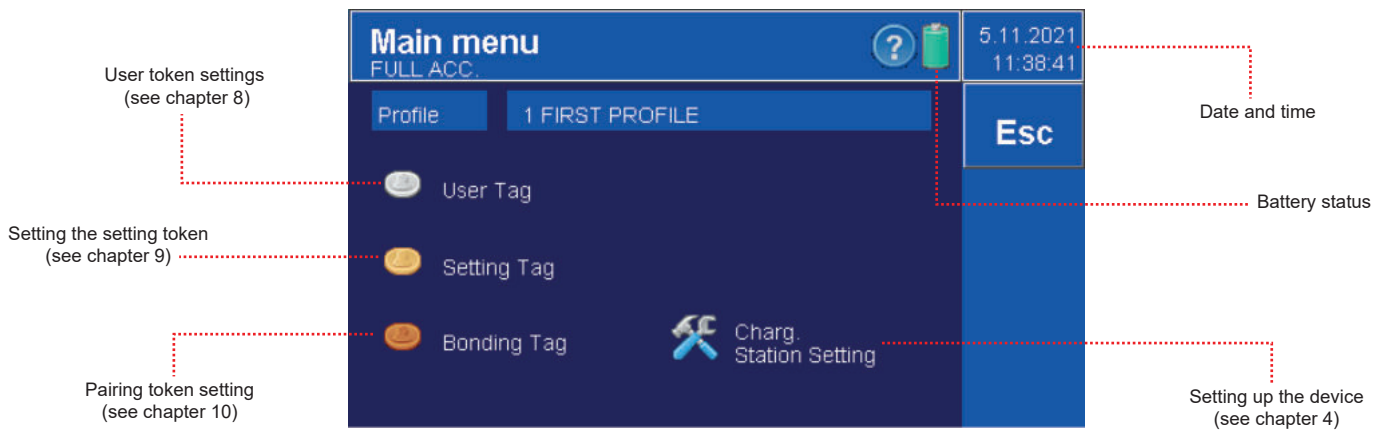


- Select the appropriate account.
- Confirm with the "OK" button.
- Creating and managing accounts (see chapter 4.5.1).



- Use the keypad to enter the 6-digit numeric code.
- The factory password setting for the administrator is „000000“.
- Confirm with the "OK" button or cancel with the "Esc" button.
- Switching the password on/off (see chapter 4.2).

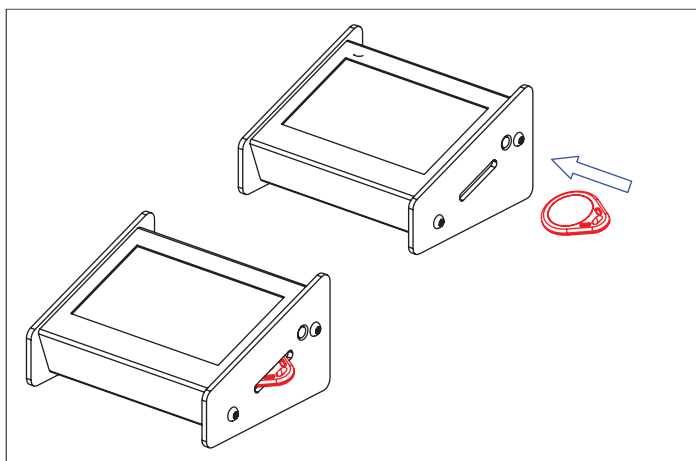
3.2 Main menu



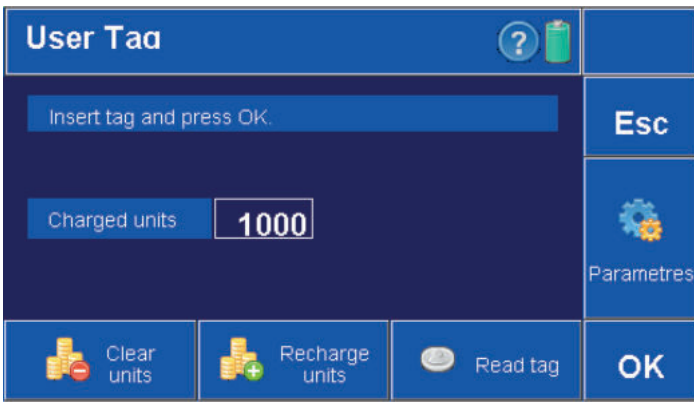
3.3 Description of token creation



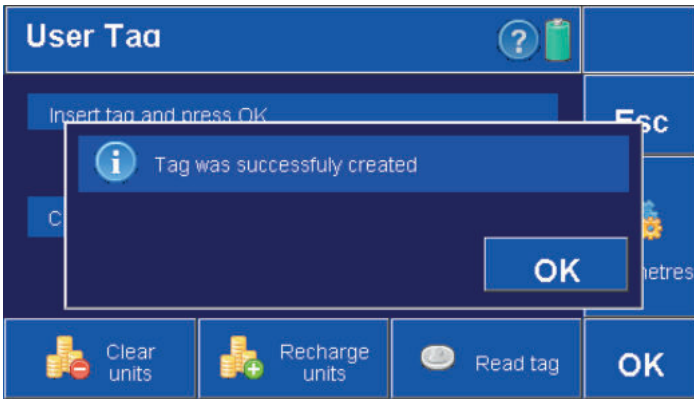
- Only the "Administrator" or "Full Account user" has permission to create a token and set token parameters.
- Before using the token for the first time, it must be formatted with the "OK" button.
- Select one token from the main menu:
 - User token (see chapter 8)
 - Setting token (see chapter 9)
 - Pairing token(see chapter 10)



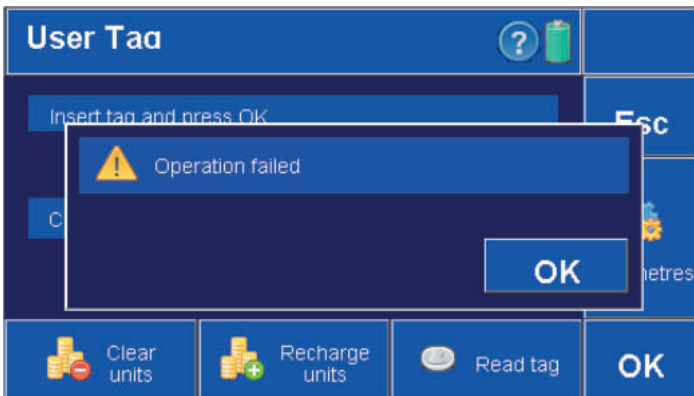
- Insert a SLZA 51, SLZA 51B or SLZA 51R token into the device token slot.



• Confirm with the "OK" button.



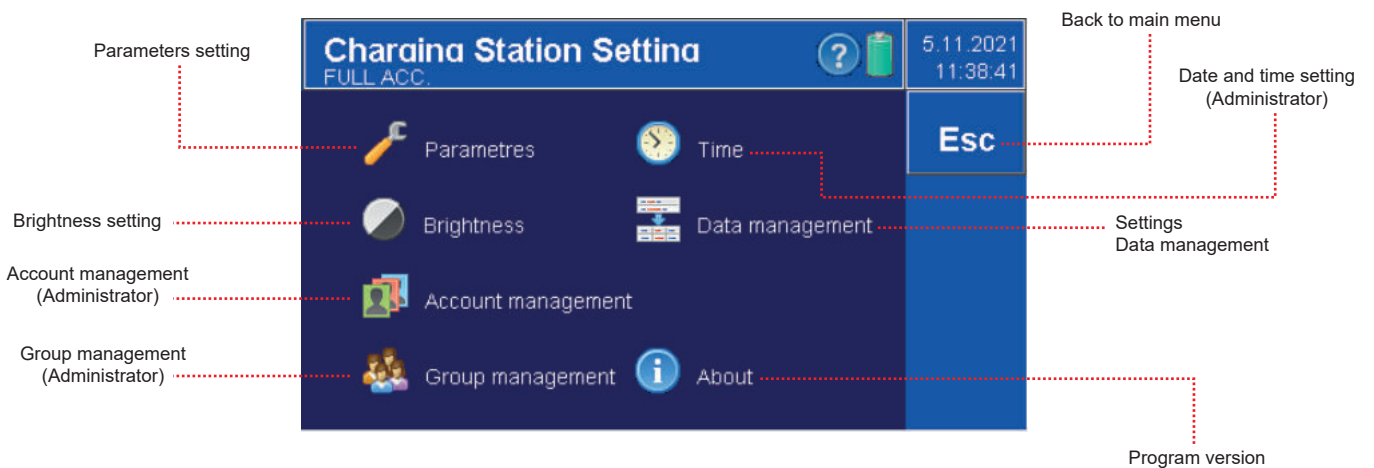
• When the token is created correctly, the following message will appear on the screen.



• After a failed token creation, the following message will appear on the screen.
 • The token is damaged or not deep enough in the device token slot.

4. Setting up the device

4.1 Basic setup main screen

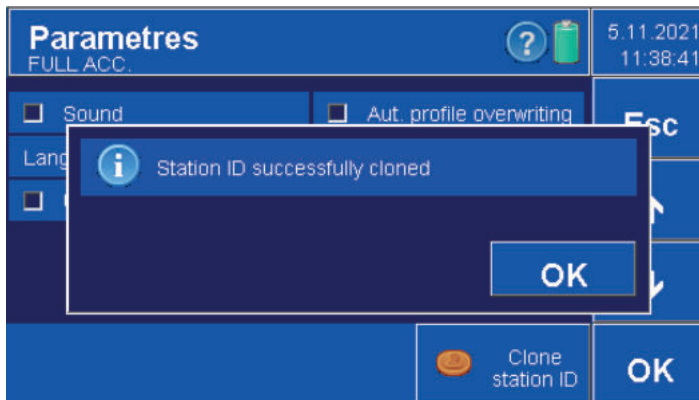


4.2 Parameters



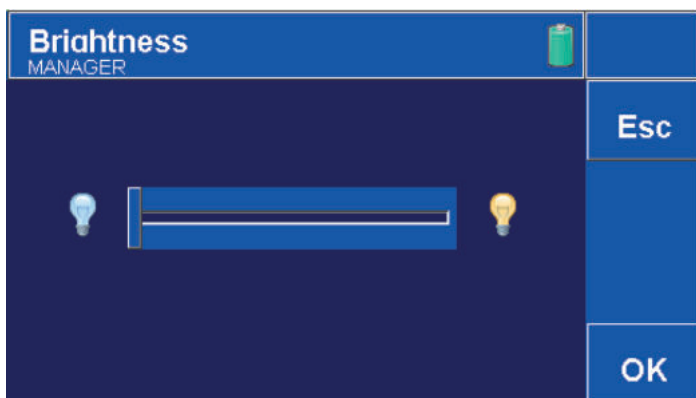
- Parameters can only be set by a user with "charging station setup" permission or by a user with "administrator" permission.
- Sound - on/off
- Language - English / Czech, selection by arrows
- Automatic profile overwrite - automatically overwrites when confirmed, the profile is updated automatically and it is not possible to create profiles.
- Industry - shows the extended menu for periodic charging in the token parameters.
- Use of accounts (Administrator only) - on / off (see chapter 4.4).
- Password usage (Administrator only) - on/off, password for accounts.
- Confirmation OK. Cancel ESC.

4.2.1 Clone station ID



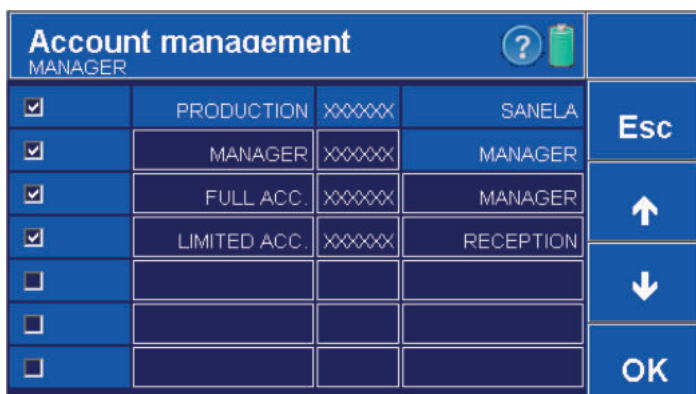
- When using multiple SLZA 30 programming stations, it is possible to clone the ID number.
- ID is used to link the charging station and the RFID device so that all devices respond to the same token.
- Procedure:
 - Create a pairing token in the first charging station (see chapter 10)
 - insert the token into the second charging station
 - press the "Clone station ID" button

4.3 Brightness



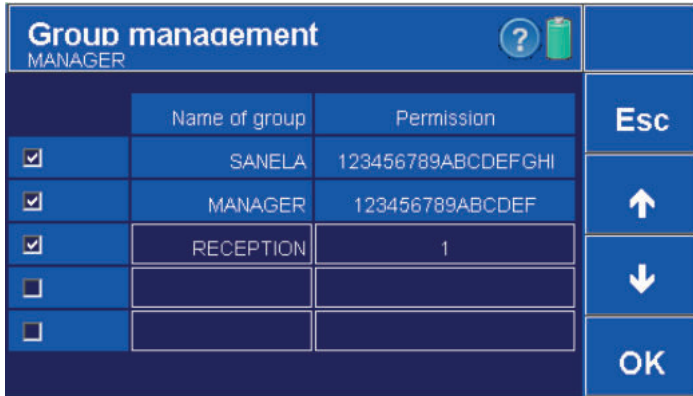
- Adjust the brightness of the display using the sliding bar.
- Left minus, right plus.
- Confirmation OK. Cancel ESC.

4.4 Account Management



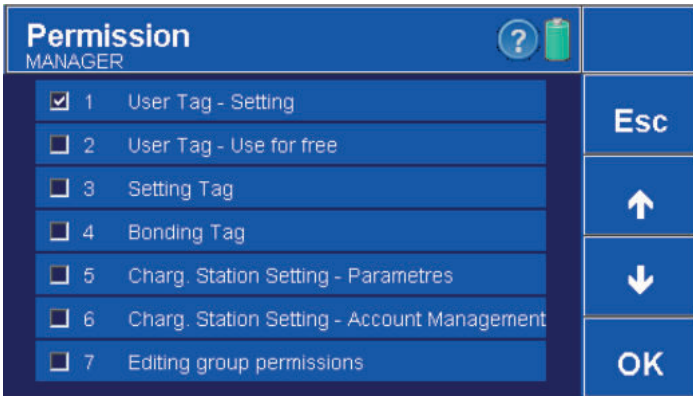
- The settings can be made by an account with the "Charging Station Settings - Account Management" permission.
- Up to 12 accounts can be created in Account Management
- Column No. 1 - switching off or on. Whether the account will be visible when the charging station is switched on.
- Column No. 2 - Account name.
- Column No. 3 - Password (6-digit numeric code).
 - The factory password setting for the administrator is "000000".
- Column No. 4 - Assign a group with permissions to the account. (Use the up and down arrow to switch groups).
- Confirmation OK. Cancel ESC.
- Move between pages using arrow keys.

4.5 Group Management



- The settings can be made by an account with the "Edit Group Permissions" permission.
- Column No. 1 - determines the activation/deactivation of the selected group.
- Column No. 2 - the name of the group.
- Column No. 3 - press the field next to the selected group to open the menu.
- Press an empty field to create a new group.
- Confirmation OK. Cancel ESC.
- Use the arrow keys to move between pages.

4.5.1 Permission Management



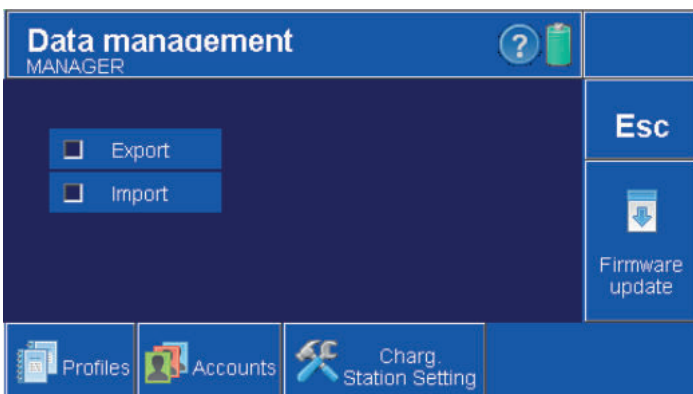
- An account with the "Edit Group Permissions" permission is allowed to make the settings.
- Set permissions for the group.
- Left checkbox - assign permissions for the selected group.
- Confirmation OK. Cancel ESC.
- Use the arrow keys to move between pages.

4.6 Time / Date

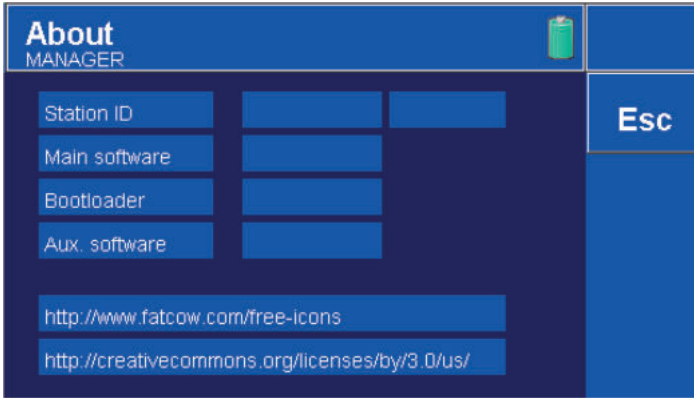


- Date and time settings. It is done by using the arrows.
- Confirmation OK. Cancel ESC.

4.7 Data management

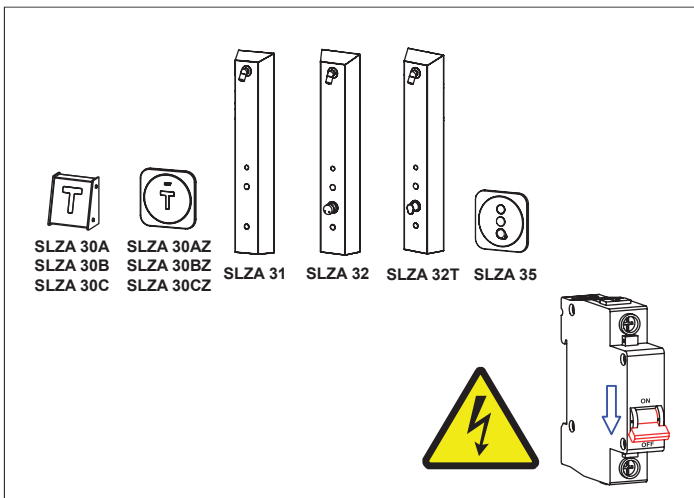


- Used to transfer profiles, accounts and charging station settings between multiple stations.
- Settings can be made by an account with the "Charging Station Settings - Manage Data".
- Left checkbox "Export" - exports the station file for other stations.
- Left checkbox "Import" - imports a file from another station into the station.
- Click on "Profiles" to export/import profiles from the station.
- Click on "Accounts" to export/import accounts from that station.
- Clicking on "Station Settings" exports/imports all settings of the charging station.
- The data and setting files are saved to the station. Uploading data and settings to another station is done by connecting the station to a PC via USB and then copying the "DataMgmt" folder or the individual files in the folder (accounts-accounts, profiles-profiles, rcSetting-settings of the station).
- Esc- Cancel.
- Software Update - Updates the software in the charging station with the file.

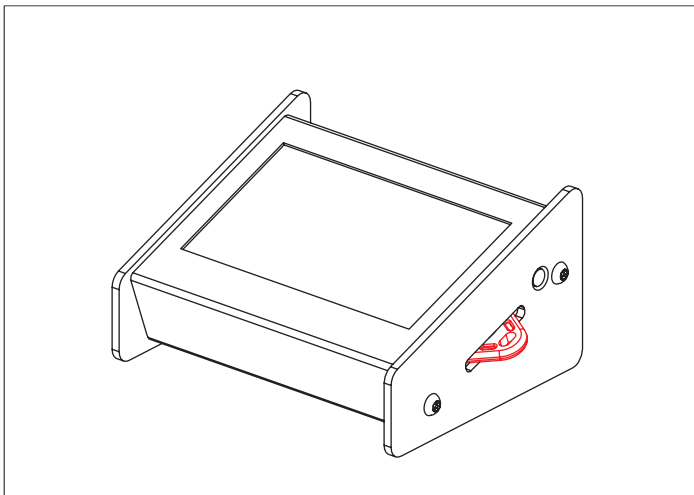


- - Station ID, version of the factory program.

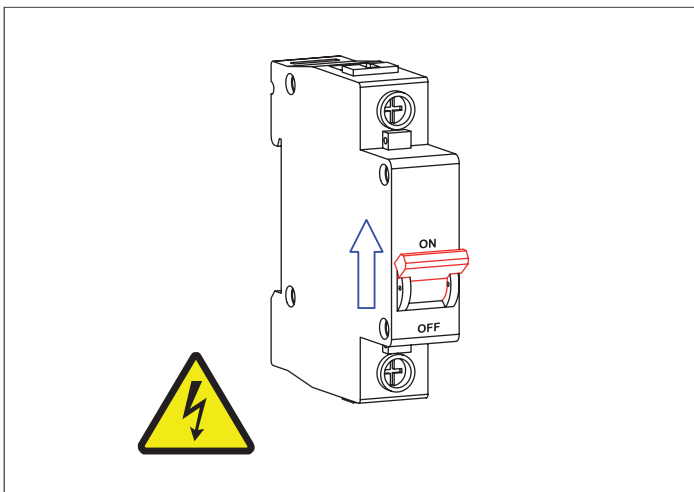
5. Initial full system setup



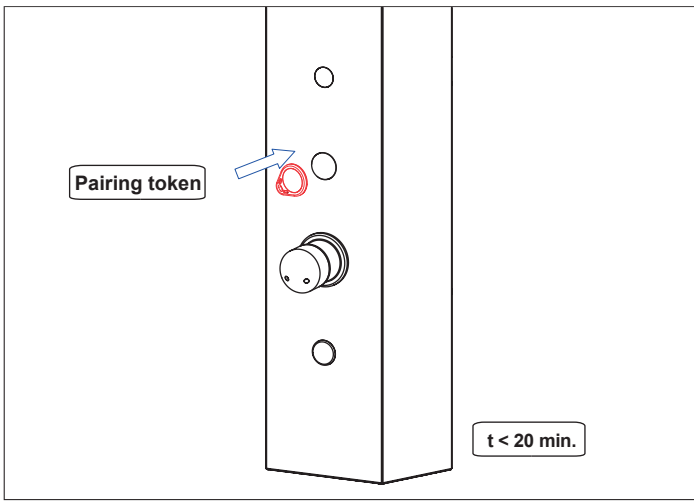
- All products you want to pair with the programming station must be installed.
- The power must be turned off.



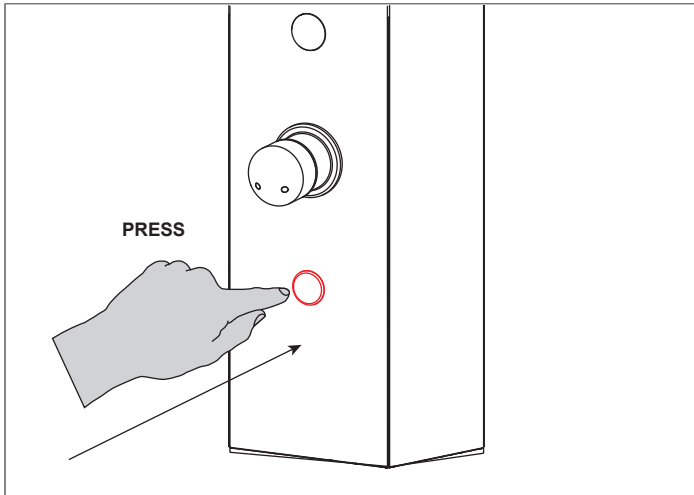
- Create a pairing token in the programming station (see chapter 10).
- You can also use the pairing token to set parameters.



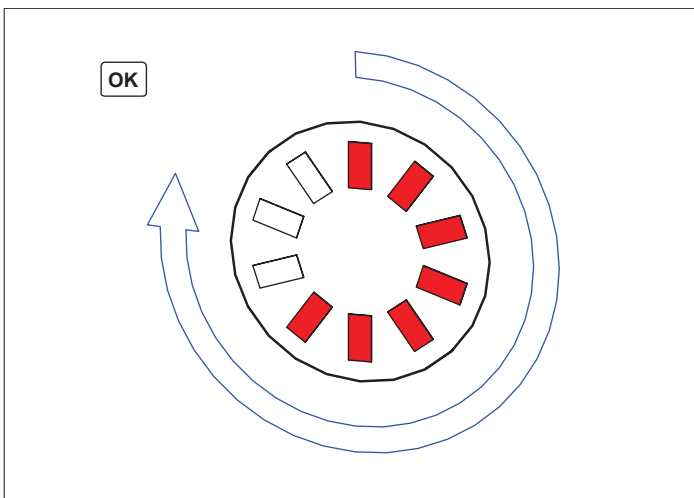
- Switch on the power supply of the installed products.



- Insert a pairing token into the slot.
- Please note, the possibility of pairing products with the charging station is only possible within 20 minutes after the power is turned on.

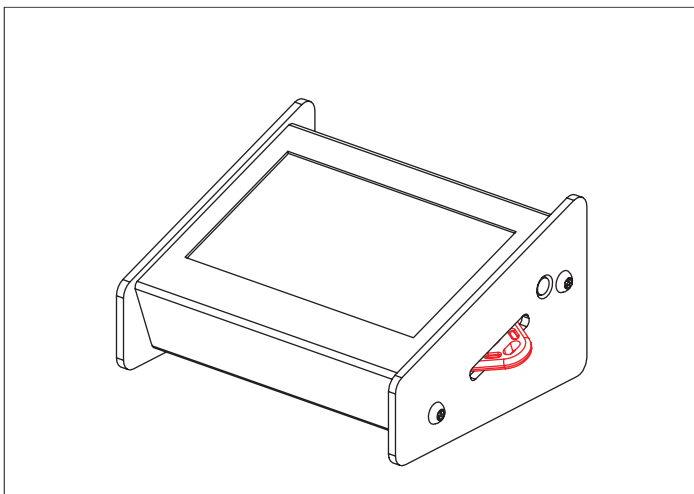


- Confirm by pressing the button on the device.

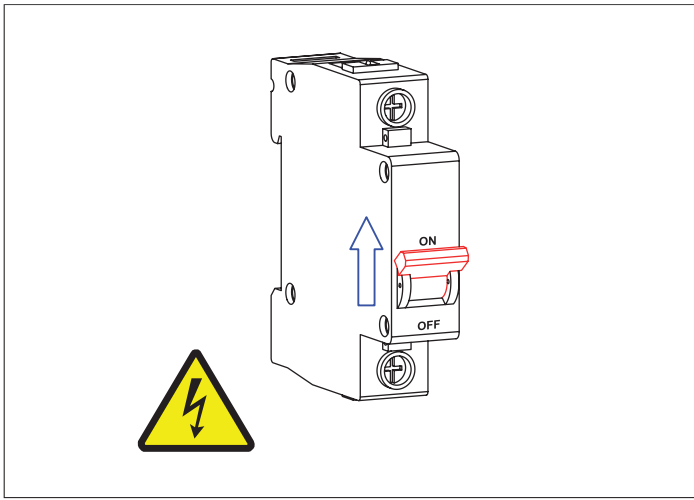


- After successful pairing, the LEDs will light up gradually, in a clockwise direction.

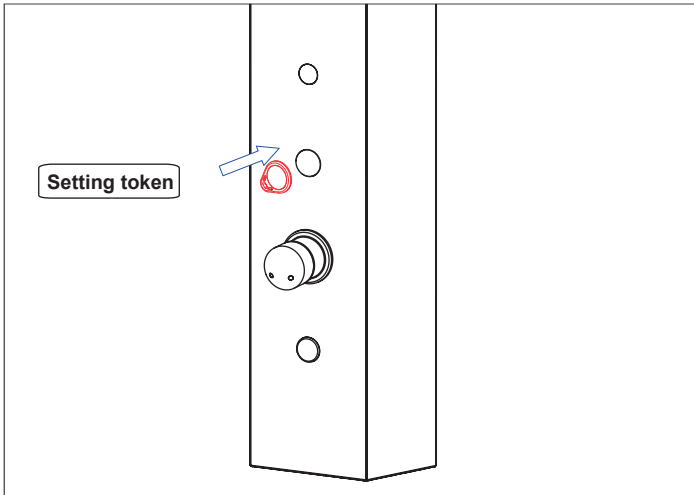
6. Changing parameters



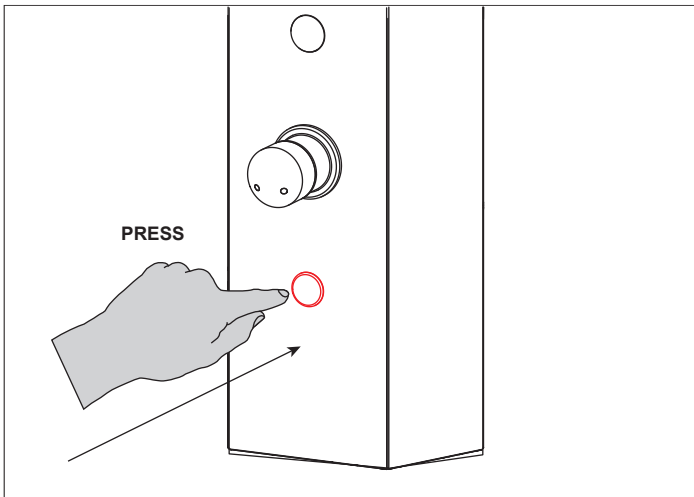
- Create a setting token in the programming station (see chapter 9).



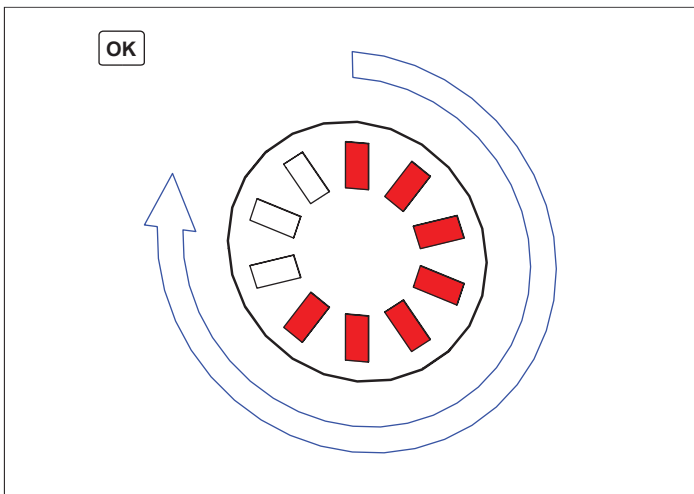
- Switch on the power supply of the installed products.



- Insert a setting token into the slot.
- Please note, the possibility of setting the products with the charging station is only possible within 20 minutes after the power is turned on.

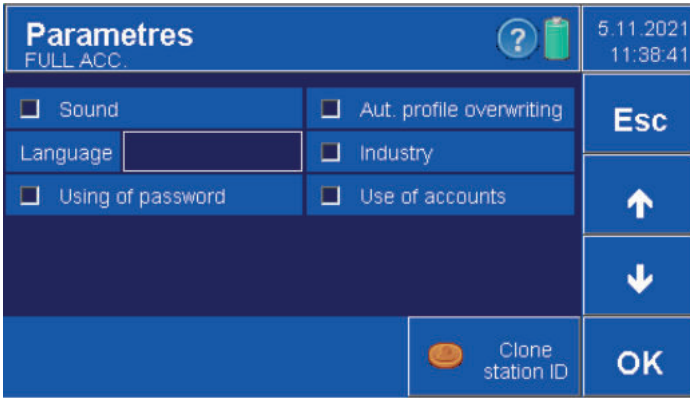


- Confirm by pressing the button on the device.

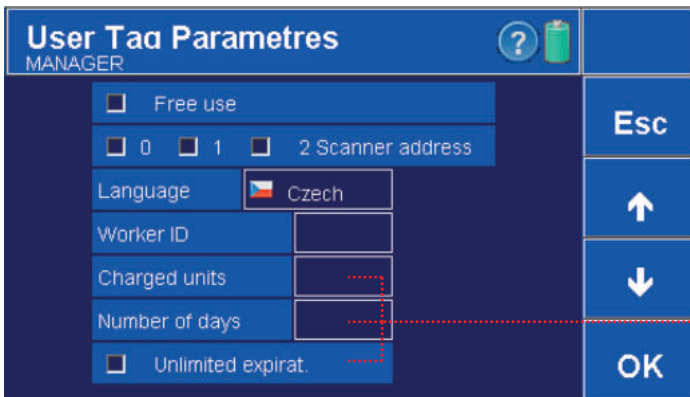
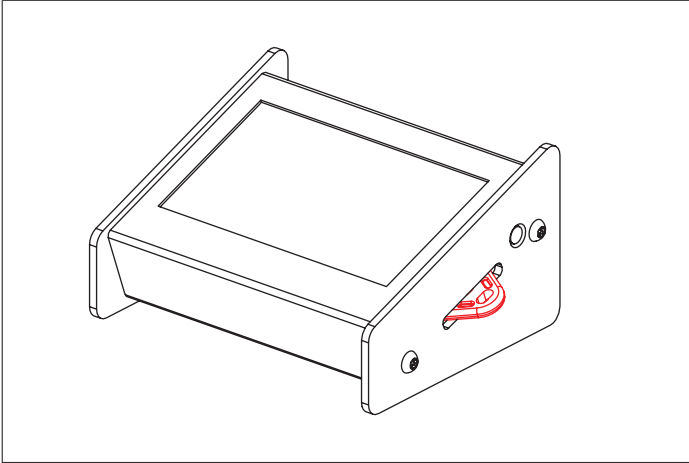


- After successful parameters setting, the LEDs will light up gradually, in a clockwise direction.

7. Creating profiles

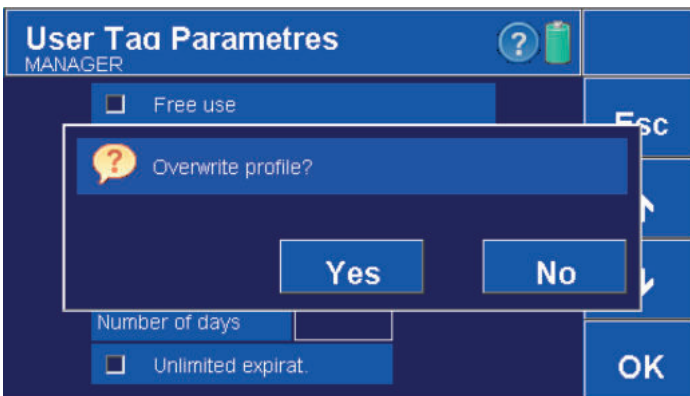


- For the option to create profiles, "Aut. overwrite profile" in the programming station parameters (see chapter 4.2).

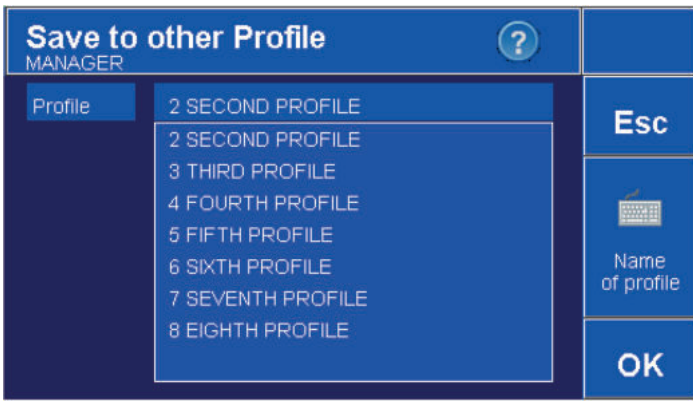


- In the token parameters (e.g. user token here), confirm with the OK button.

Displayed only in "Industry" mode
(for activation/deactivation see chapter 4.2)

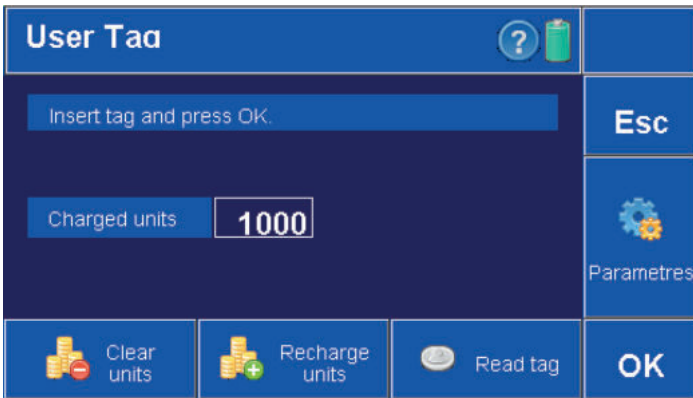


- Select YES to overwrite the currently selected profile.
- Selecting NO will take you to the new profile creation window.



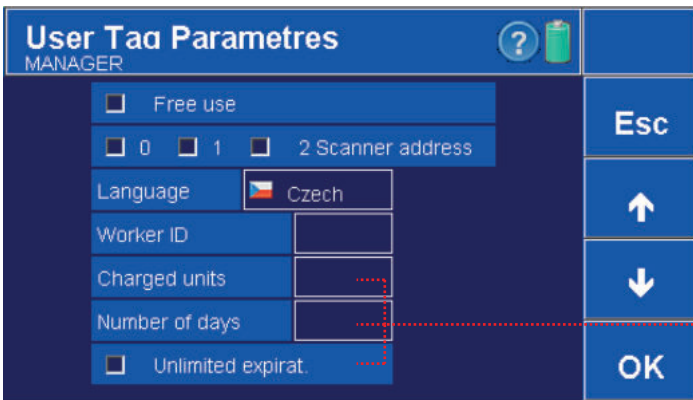
- Select the appropriate profile from the context menu.
 - Use the keyboard to name it.
 - Confirmation OK. Cancel ESC.
- Profiles can then be changed in the main menu, see chapter 3.2 .

8. User token



- The user token is intended for customers who will directly use the products (showers, door openers,...).

8.1 Parameters (User token)



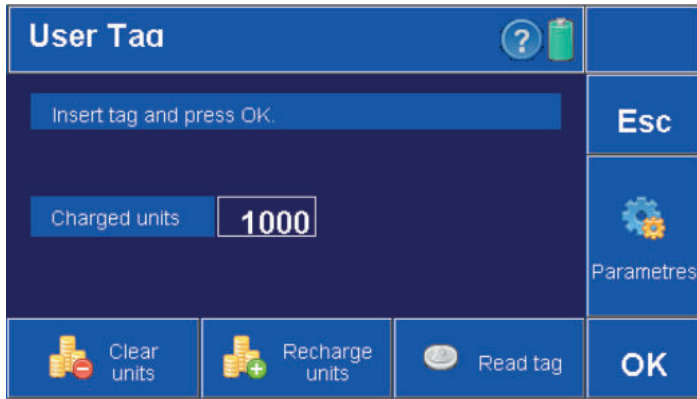
- Parameter settings can only be made by an administrator.
- Confirmation OK. Cancel ESC.

Displayed only in "Industry" mode
(for activation/deactivation see chapter 4.2)

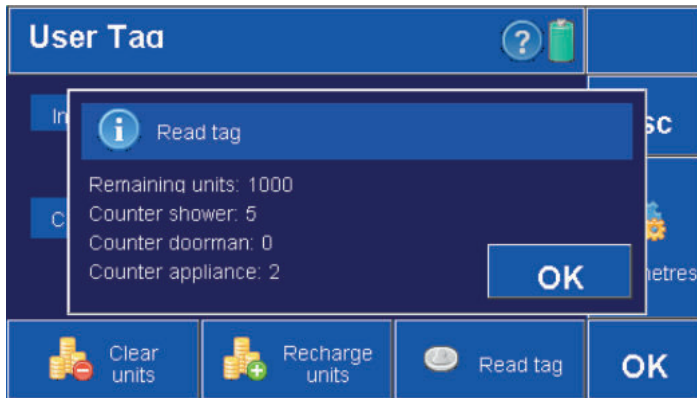
Setting parameters

Function	Value	Function description	Related to
Unlimited showering	ON/OFF	If turned ON, the owner of this USER token is entitled to use the shower without time limit.	-
Reader address	0, 1, 2	Only for the door opening units SLZA 30A/AZ or single phase appliances SLZA 30B/BZ. These products may have an address set. For example if the USER token has set address 0 and 1, the token is opening the doors with address 0 and single phase appliance with the address 1.	see chapter 9.2
Language	Czech, English	The language of the information displayed on the readers.	-
Employee ID	0-65535	Unique number of the token. SLZA 30C/CZ works with this number and can display it.	-
Charged units (credit)	0-65535	The units are deducted during use of the showers, door openers or single phase units	On - Industry mode
Number of days	99	Used to set the amount of time (days) that the token will be accepted by the readers. If the date in the token is older than the date in the reader, access will be denied.	Date, On - Industry mode
Unlimited expiration	ON/OFF	When checked, the token can be used for an unlimited period of time regardless of the current date (valid for devices with the Expiration parameter activated).	On- Industry mode

8.2 To read token

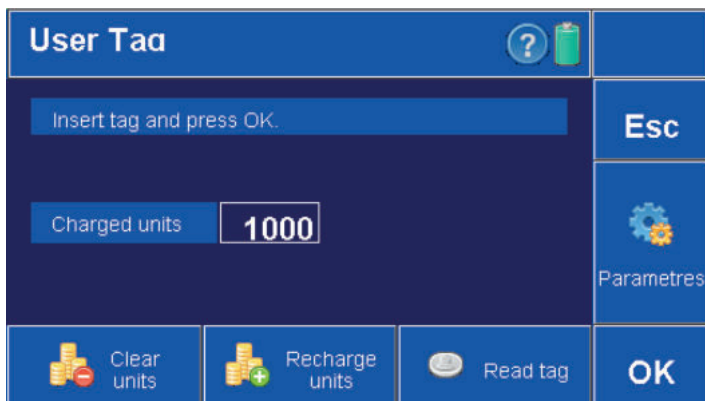


- After inserting the token into the charging station's reading slot and pressing the "Read Token" button.

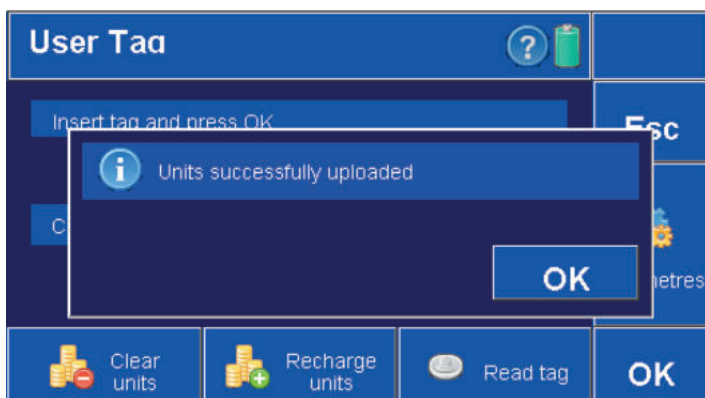


- A window will pop up showing how many units are left, how many times and where the token was used.

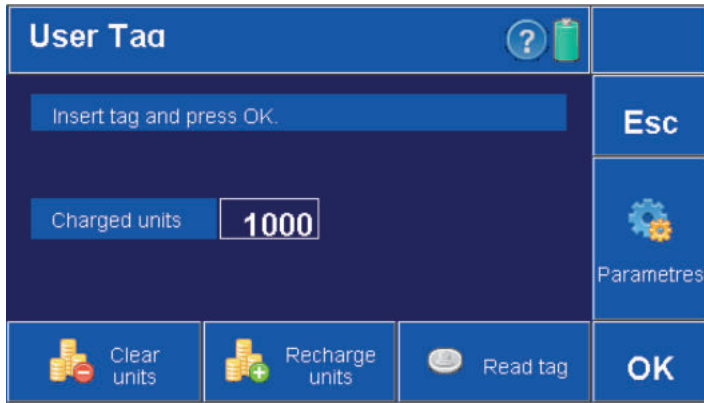
8.3 Charging units (credit)



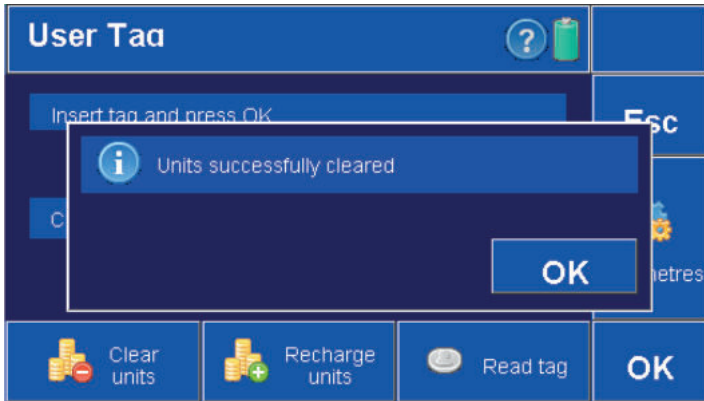
- After inserting the token into the charging station's reading slot and pressing the "recharge units" button, the selected credit is loaded onto the token.
- It does not affect the token's settings, it charges units and adds them to the units, that are already on the RFID token, resetting the counter.



- Once the token is reloaded, the following information will appear on the screen.

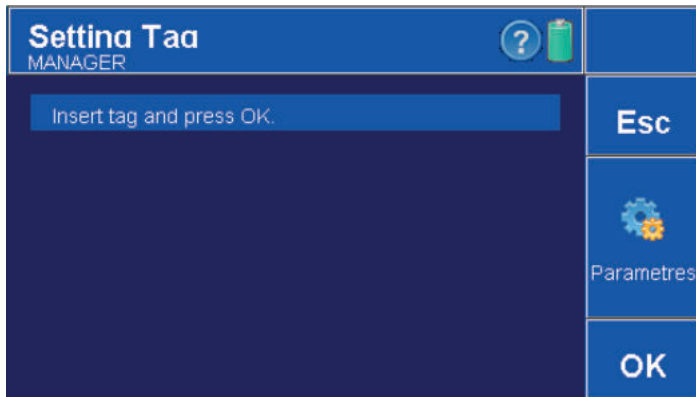


- After inserting the token into the charging station's reading slot and pressing the "Reset Units" button, all units will be removed from the token to the status "Units remaining: 0".
- It does not affect the token's settings, it resets the counter.



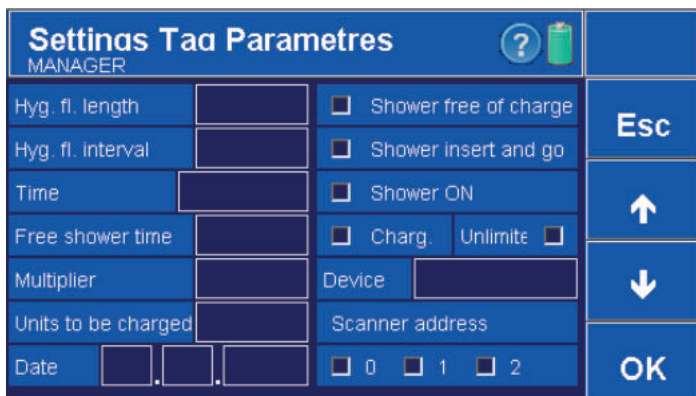
- After resetting the units, the following information will appear on the screen.

9. Setting token



- Settings may be made by an account with the "Setup Token" permission.
- Used to set parameters for showers, door openers and 1f. devices (for the first 20 minutes after powering up the end devices).

9.1 Parameters (Setting token)

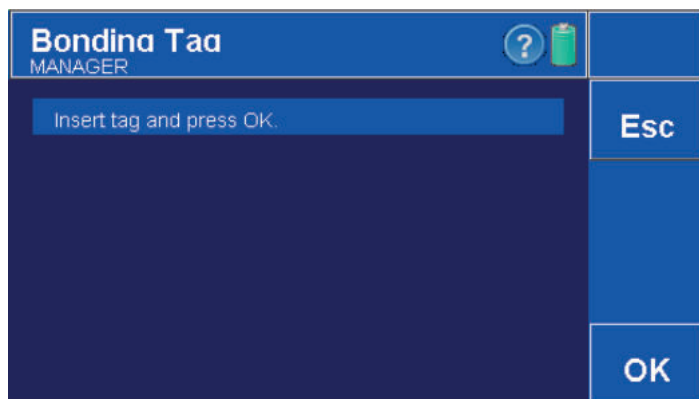


- Parameters can only be set by a user with permission "User token - Settings".
- Confirmation OK. Cancel ESC.

Parameters setting

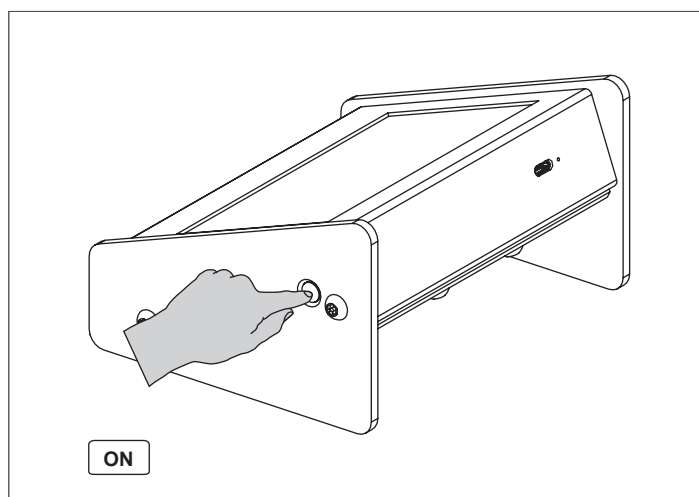
Number	Function	Value	Related to these products	Function description	Related to
1	Free shower	ON / OFF	All products	Related to free shower duration. After the set time expires, the shower returns automatically back to previous settings.	11
2	Shower - Insert and Go	ON / OFF	SLZA 31, 32, 32T, 35	Another system of shower using than in basic settings. The sequence: insert token into the shower - the BAR graph appears - remove the token - within 2 minutes push the button on the shower to start it. If the user don't push the showering button within 2 minutes, the electronics reset the loaded credits in the shower.	-
3	Shower On/Off	ON / OFF	All products	-	-
4	Automatic units charging	ON / OFF	SLZA 30C, SLZA 30CZ	Turns on the automatic units (credit) charging in the credit readers SLZA 30C/CZ for showers SLZA 31, 32, 32T and 35. Connected to units charging and date.	13, 14
5	Appliance	ON / OFF	SLZA 30A/AZ, SLZA 30B/BZ	For SLZA 30A/AZ or 30B/BZ. Turns on the variant for units charging for appliance. Connected to units charging and date.	10
6	Reader address	0, 1, 2	SLZA 30A/AZ, SLZA 30B/BZ	For SLZA 30A/AZ, 30B/BZ. Address settings. These units accepts only matching tokens. For example if the user token has got set address 0 and 1, the token will open the door opening unit with address 0 and single phase appliance unit with address 1.	-
7	Unlimited expiry	ON / OFF	All products	Activates the expiration date check for the token. If the expiration date of the token is older than the current date, devices will not accept it.	-
8	Devices	Shower, appliance, door lock	All products	Device selection (Shower, Appliance, Door lock)	-
9	Duration of the Sanitary flush	5s- 1200s	SLZA 31, 32, 32T, 35	The duration of the sanitary flush, against Legionella germ	8
10	The interval of the Sanitary flush.	off, 6, 8, 12, 24, 72, off, 6, 8, 12, 24, 72, 168h	SLZA 31, 32, 32T, 35	Turn on the Sanitary flush (Legionella germ prevention), after pre-set time of none use.	7
11	Time (shower)	10 - 1200s	SLZA 31, 32, 32T, 35	Adjustable water release time. When the chip is inserted into the shower, the number of units (related to the multiplier) is read and the water is turned on for the set time.	12
12	Time (appliance)	30s - 16h	SLZA 30A/AZ, SLZA 30B/BZ	Adjustable showering time. After token insert into the shower, the shower deduct corresponding amount of units (credit), related to multiplier - water starts to flow for preset time.	5, 9
13	Duration of free shower	1- 255h	All products	Free showering for several time. After the set time expires, the shower automatically returns back to previous settings. The "free shower" must be On.	1
14	Multiplier	1 - 31	All products	Related to units (credit) deduction after token insertion into the shower slot. Multiplier 1= number of deducted units is 1. If multiplier is 10 = number of deducted units is 10.	9, 10
15	Charged units	0 - 65535	SLZA 30C, SLZA 30CZ	Related to the date and units charging. For updating of the date and units by SLZA 30C/CZ.	4, 14
16	Date	0 - 16777215	SLZA 30C, SLZA 30CZ	Related to the units charging. For updating the date and units by SLZA 30C/CZ	4, 13

10. Pairing token

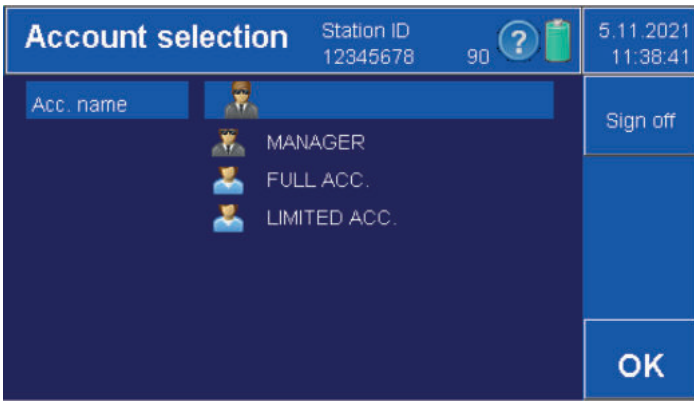


- Settings can be made by an account with the "Pairing Token" permission.
- Used to pair the charging station with other products (for the first 20 minutes after power is turned on to the end devices).

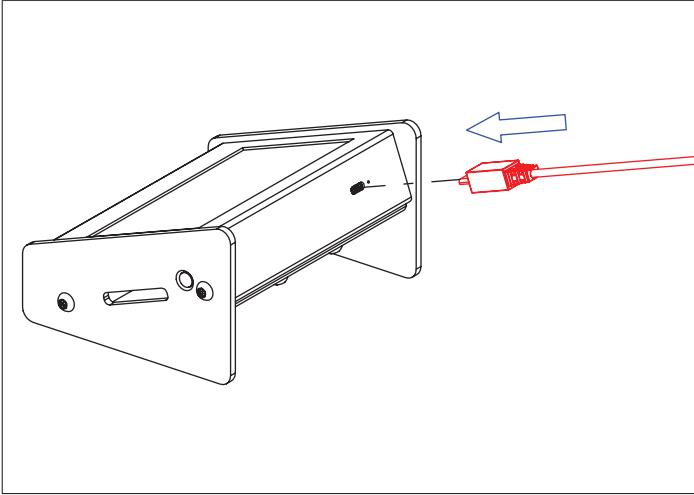
11. Disk readout



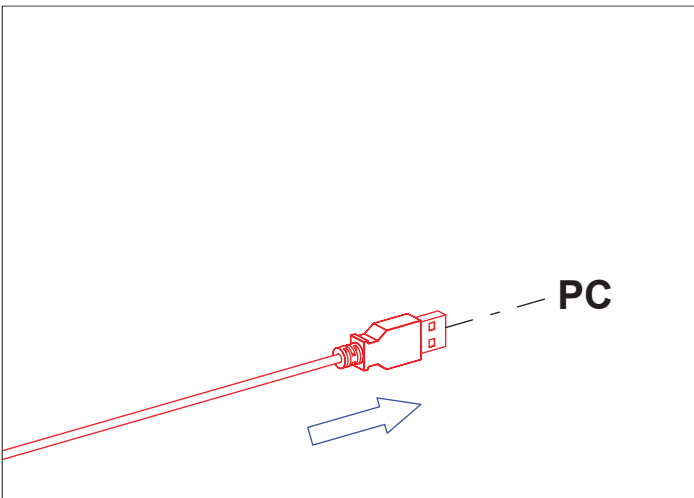
- Turn on the programming (charging) station.



- Log in as "Administrator".



- Connect the USB cable to the device.



- Connect the other end of the cable to the PC.

Název	Datum změny	Typ	Velikost
OMEZENY	9.8.2013 15:06	Textový soubor s ...	1 kB
PLNY	9.8.2013 15:06	Textový soubor s ...	1 kB
SPRAVCE	9.8.2013 15:06	Textový soubor s ...	1 kB

- Each account has its own text file.

Date[DDMMYYYY]	Charged Units	Subtracted Units	Diff
01.07.2019	62	0	62
02.07.2019	100	92	8
03.07.2019	58	102	-44

- An example of a file that stores the date and number of units uploaded (charged credit).